



File was found and ready to download!

UPDATED 14 HOUES AGO

Fastest Source: [usenet.nl](#)

Click the **download button** and select one of the found **cloud sources**.

6.4



2865 VIEWS

Download 

 SECURE SCANNED

You need to [log in](#) before you can post comments.



Navigation

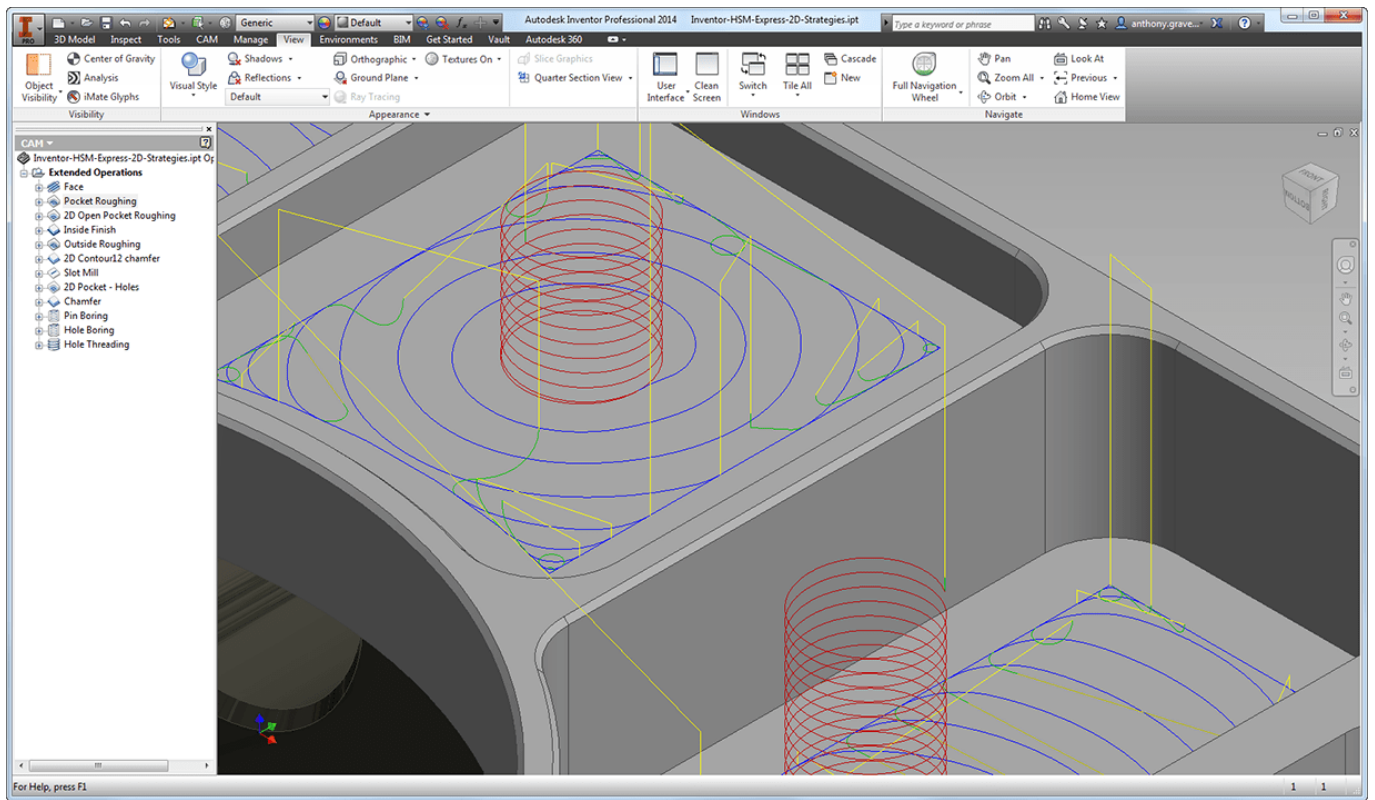


Registration



FAQ

[Inventor 2019 64bit Keygen Xforce](#)



[Inventor 2019 64bit Keygen Xforce](#)



File was found and ready to download!

UPDATED 14 HOUES AGO

Fastest Source: [usenet.nl](#)

Click the **download button** and select one of the found **cloud sources**.

6.4



2865 VIEWS

Download 

 SECURE SCANNED

You need to [log in](#) before you can post comments.



Navigation



Registration



FAQ

---

Entering an incorrect product key will result in activation errors for that product. The product keys ... Autodesk AutoCAD Inventor LT Suite 2019, 596K1. Autodesk ...

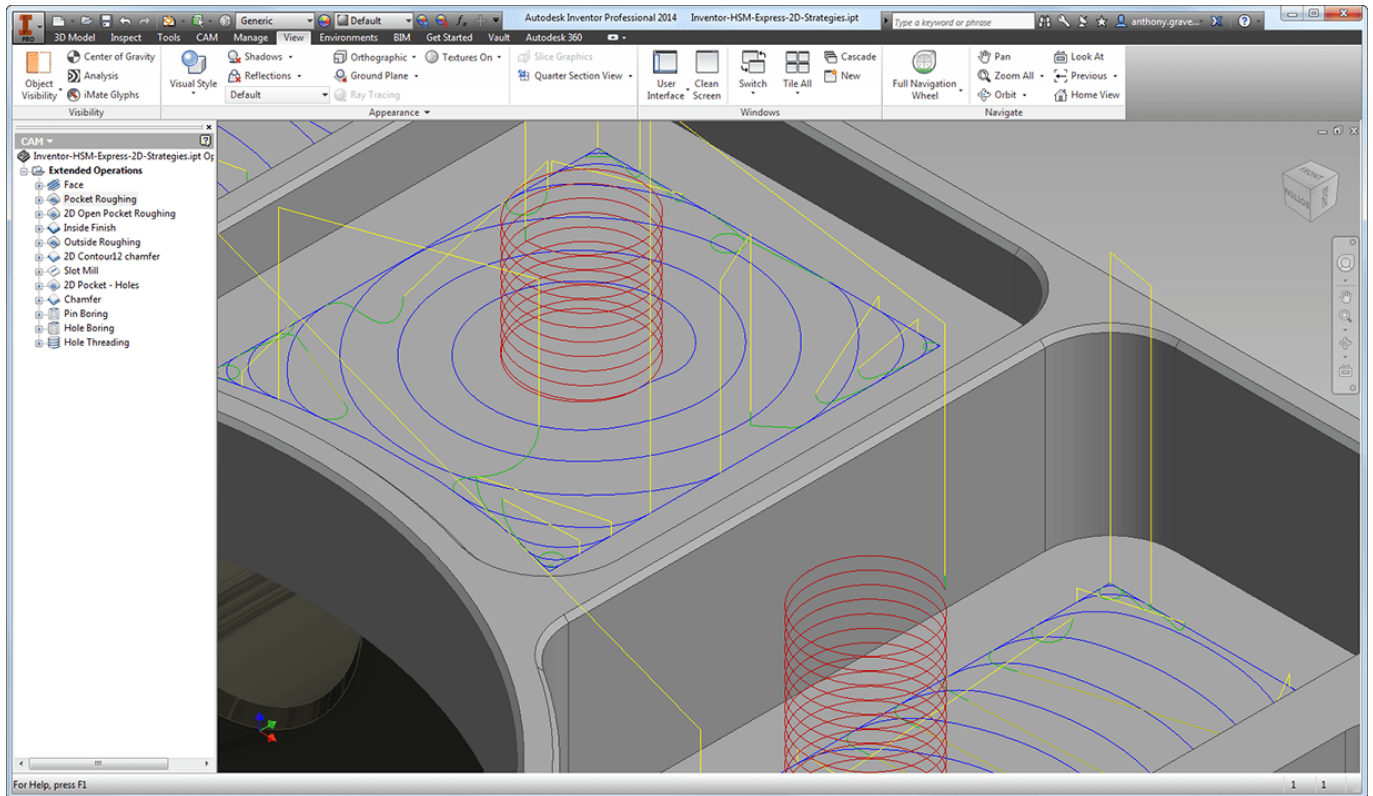
1. [inventor keygen xforce](#)
2. [autodesk inventor 2020 xforce keygen](#)
3. [autodesk inventor 2020 xforce keygen download](#)

Autodesk Revit 2013 Keygen Torrent win 10 iso 64 bit autocad 2016 ... Once Autodesk Inventor Professional 2019 is finished downloading, .... 13 Aug 2015 Download Autodesk 2012 32bit-64bit X-Force Keygen ... Patch (you ... Release Date: 8/13/2018 ... inventor 2019 ... windows 10 .... Jun 24, 2019 Download Autodesk Inventor Professional for free. ... Xforce Keygen Autodesk AutoCAD 2019 Universal Crack 32/64 Bit.

## **inventor keygen xforce**

inventor keygen xforce, autodesk inventor professional 2019 keygen xforce, autodesk inventor 2020 xforce keygen, inventor 2020 keygen xforce, autodesk inventor 2020 xforce keygen download, autodesk inventor 2017 xforce keygen, autodesk inventor 2018 keygen xforce.rar, xforce keygen inventor 2016, xforce-autodesk inventor keygen, xforce-autodesk inventor keygen music, inventor 2017 keygen xforce, inventor 2016 keygen xforce, inventor 2014 keygen xforce, inventor 2012 keygen xforce, autodesk inventor xforce keygen, autodesk inventor 2019 keygen xforce, autodesk inventor 2012 keygen xforce, autodesk inventor 2016 keygen xforce [Shivaay Full Movie In Hindi 720p Torrent](#)

You can use Autodesk 2017 X-Force Keygen to activate all products without using the product key. ... Autodesk Inventor HSM Ultimate 2019 .... 0 Crack With Serial Key Full Download Autodesk Inventor 2019. ... Listen to Xforce Keygen 32bits Or 64bits Version Revit 2017 Crack and 171.. Inventor 2019 Crack (xforce, MAGNiTUDE, nlm-2018-x64, adlmint.dll) Windows and MacOS. We just finished our crack for Autodesk Inventor Professional 2019, .... Universal Xforce Keygen Inventor Nesting 2019 > <http://cinurl.com/13vxdi> ... download autodesk 2018 universal keygen (x32-x64) v3 by x-force. [Bajrangi Bhaijaan Mp4 Movie Free Download](#)



[Pikmin 2 Iso Jpn](#)

## autodesk inventor 2020 xforce keygen

[Avatar 2009 Extended Collectors Edition 1080p Bluray X265 10bit HEVC AAC 51 JoyUTR](#)

x force keygen inventor 2017, x-force keygen inventor 2019, x-force keygen ... Download Autodesk 3Ds Max 2012 Keygen Xforce 64 Bit 9,5/10 .... Inventor Professional 2019 64 Bit Full Indir Tek Link ->>> DOWNLOAD Back to TopResults of xforce keygen crack only autocad 2012 64 bit... 64 bit free download. X force keygen for autodesk .... Autodesk Inventor Professional 2019 797K1 Autodesk Lustre . ... Download x force for ... [toy story 3.mp4 tamil dubbed](#)

## autodesk inventor 2020 xforce keygen download

[Download Movie Kabhi Alvida Naa Kehna Dvdrip Torrent](#)

Download All Autodesk 2019 Products XForce KeyGen (x86x64). x-Force keygen for ALL Autodesk products v2019 x86+x64. Original keygen .... x force keygen inventor 2017, x-force keygen inventor 2019, x-force ... 3ds max 2013 xforce 64 bit keygen download Offers 2014 Maya for .. Inventor 2019 (64bit) (Product Key And Xforce Keygen) .rar ->>> DOWNLOAD. 9bb750c82b Autocad 2014 Activation code with crack x32 x64 .... X Force Keygen Inventor Engineer-to-Order 2017 32 Bit Tam Indir ... 2019 (32 + 64 bit) Full Version with crack tools (Keygen, Patch, and Serial.. Xforce Keygen Inventor LT 2009 X86 X64. February 28 2020 0. x-force keygen inventor 2019, x force keygen inventor 2017, x-force keygen inventor 2018, ... 98cc185845 [Lucky Kabootar 1 2 3 720p In Dual Audio Hindi](#)

98cc185845

[Adobe Premiere Pro CS3 free download](#)