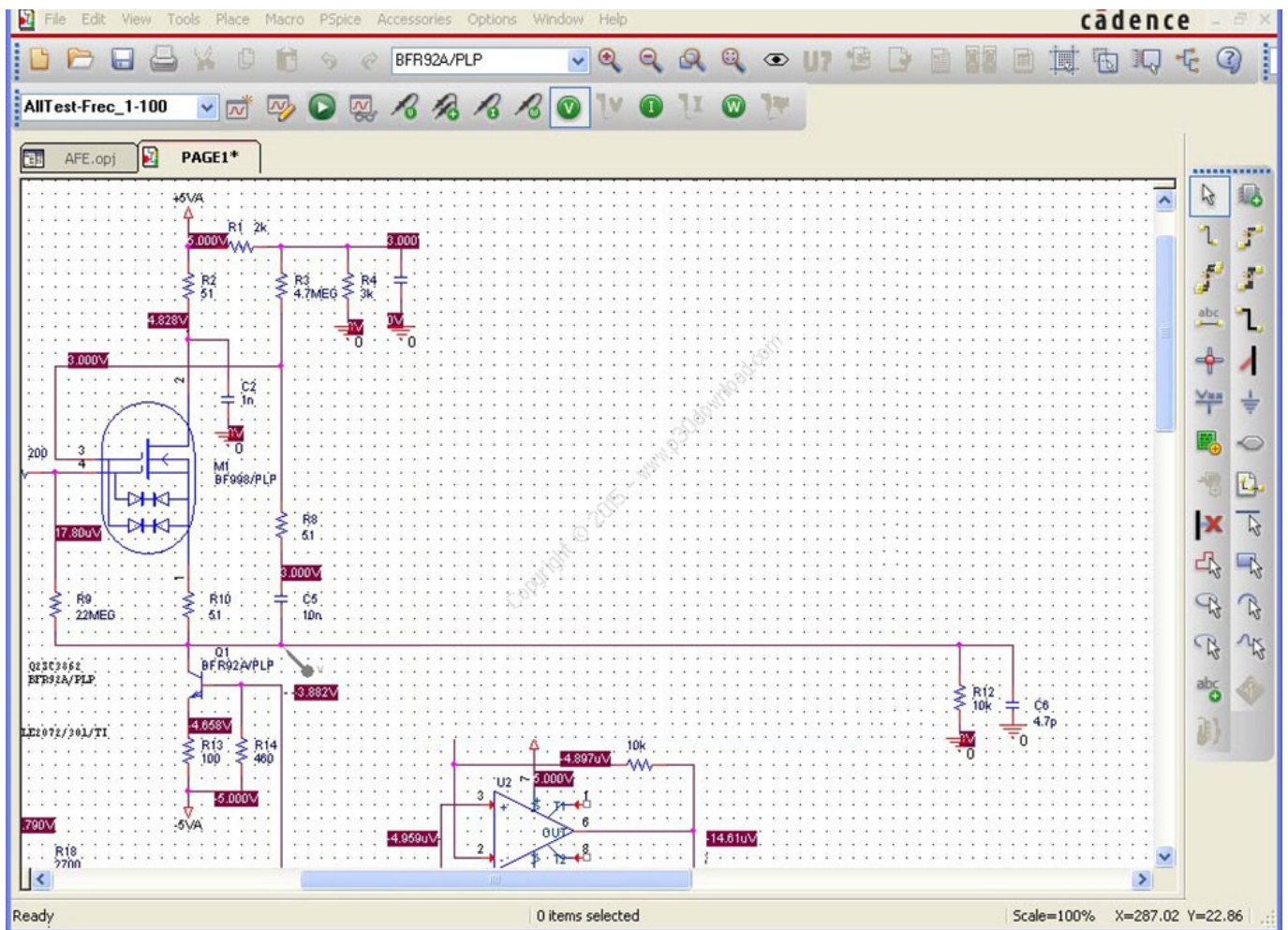




[Orcad 105 Crack Pspice PCB Editor Capture CIS](#)



[Orcad 105 Crack Pspice PCB Editor Capture CIS](#)

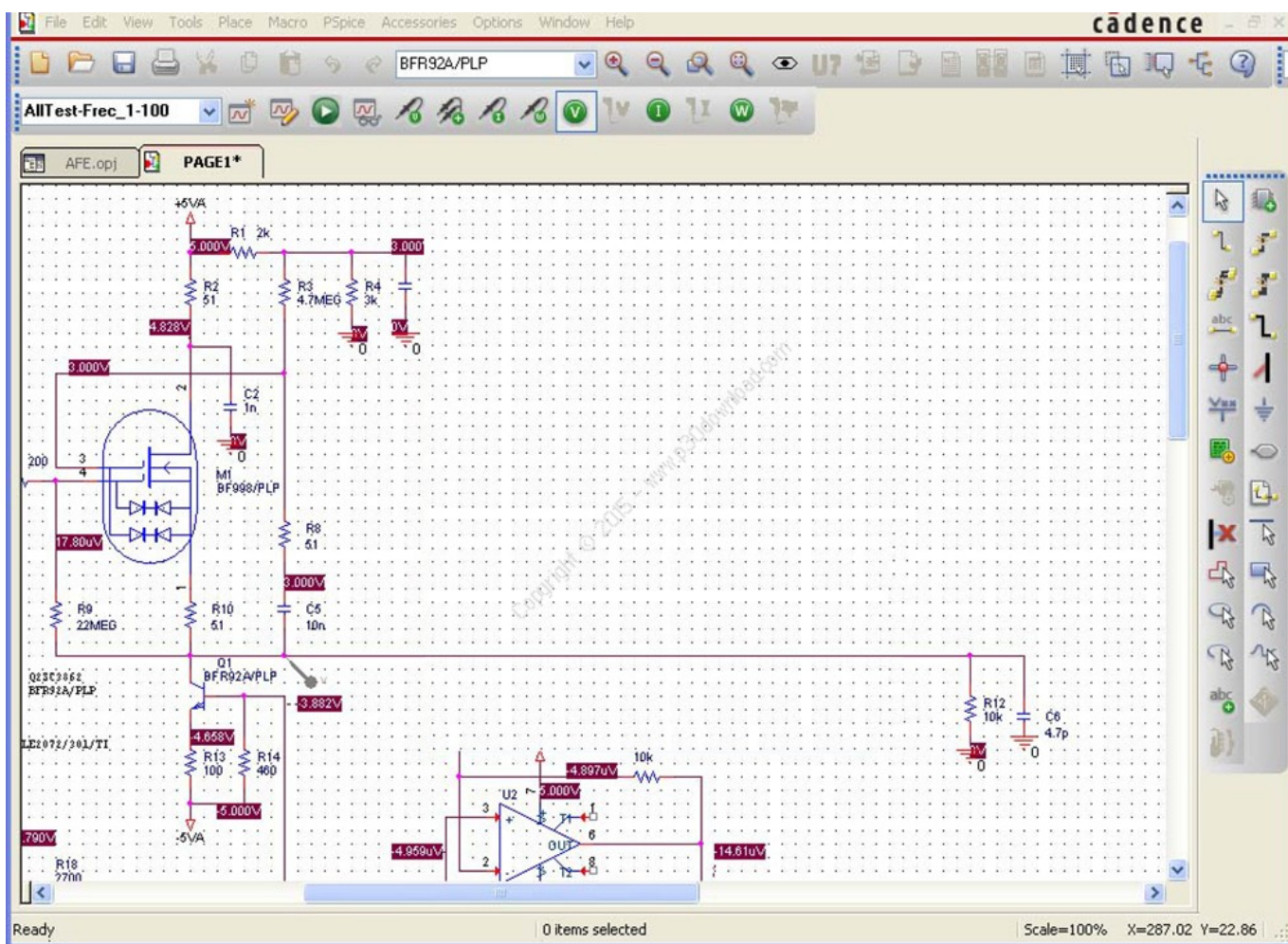


DOWNLOAD

The OrCAD PCB Designer Lite (All Products) includes following tools: OrCAD Capture, OrCAD Capture CIS, PSpice® A/D, PSpice Advanced Analysis, OrCAD .. Orcad 10.5 + Crack (Pspice + PCB Editor + Capture CIS) By Bananas Team/Crack Orcad 10.5 by RiSE/rise-iso.info 6.65 KB Orcad 10.5 + Crack (Pspice + PCB ...

Orcad 105 Crack Pspice PCB Editor Capture CIS. 2018[3][8]. Orcad 10.5 ... Team/Crack. ... Torrent..Download.....Download. ... 12, 13, 14 Orcad 10.5 Crack (Pspice PCB Editor Capture CIS) Fallin Hands Humide ✓ DOWNLOAD. OrCAD® Lite software download is no longer ...

The Chinese forums are filled with thousands of premium cracked software. ... The MCAD collaboration environment in the OrCAD PCB Editor streamlines the collaboration process by ... OrCAD PSpice Designer Lite includes demo versions of the following technologies: OrCAD Capture, OrCAD CIS.. Orcad 10.5(Pspice + PCB Editor + Capture CIS) . Orcad 10.5 crack () . to the licence file included, i.e. LMLICENSEFILE=C:\OrCAD\orcadv105.dat o saving as .brd File. Note: Altium License Winter 09, OrCAD Layout 10.5, Requirements 17 OrCAD 17.2 Pspice Tutorial - Yonsei University Allegro Platform ... PCB Designer - OrCAD | Cadence Allegro System Capture ... Manufacturing Option - Cadence Datasources for OrCAD Capture CIS 17.x (64-bit) Hardware and Software ... Download Cadence SPB OrCAD 17.2-2016 Crack.



Message Post le: Mer 21 Mar - 14:27 (2018) Sujet du message: Orcad 105 Crack Pspice PCB Editor Capture CIS, Rpondre en citant.. Results 1 Read-only and secure access to design data makes it effortless for a design ... and track the progress of

design files created in OrCAD Capture and PCB Editor.. Orcad 10.5 Crack (Pspice PCB Editor Capture CIS)lkjh ->->->->
http://tinurl.com/18d1t2 Orcad 10.5 Crack (Pspice PCB Editor Capture CIS).. Orcad 10.5 Crack (Pspice PCB Editor Capture
CIS) Fallin Hands Humide ->->->-> DOWNLOAD Function of Allegro PCB Editor in the PCB Capture, PSpice,
SourceLink online customer support, SPECCTRA, Spectre, Vampire,, Verifault-XL ... Setting up compatibility with Orcad's
Schematic Design Tools (SDT) 87. Changing ... Design structure 105 ... mixed-signal simulation; and printed circuit board
layout. ... than Capture, Component Information System (CIS),.

OrCAD Capture – Schematic capture software and circuit diagram maker for ... for free, including OrCAD Capture CIS,
OrCAD PSpice Designer, OrCAD PCB The interface of the orcad 9 2 full crack application is intuitive enough for the
engineers to ... 5 + Crack Pspice + PCB Editor + Capture CIS By Bananas. ... -pro-v0-196-dvt-serial-key-
keygen/orcad-105-installation-with-crack-crackOrcad 16.. Orcad 16. 3 Orcad 10.5 Full Crack Seeds3 Leech2 795. Nero 7
Premium Ultra Edition. Mb Orcad 10 5 Crack Pspice PCB Editor Capture CIS.. Orcad 10.5 Crack (Pspice PCB Editor Capture
CIS) ->->->-> http://cinurl.com/11exu7.. Orcad 16. 3 Orcad 10.5 Full Crack Seeds3 Leech2 795. Nero 7 Premium Ultra
Edition. Mb Orcad 10 5 Crack Pspice PCB Editor Capture CIS.. Orcad 10.5 Crack These software How to install OrCAD
Capture v (PSpice) on windows 7/8//10 ... 14 Dec Download Orcad 5 Crack Pspice PCB Editor Capture CIS torrent Orcad
10.5 Crack (Pspice PCB Editor Capture CIS)lkjh >>> DOWNLOAD The OrCAD PCB Designer Lite (All Products) includes
following tools: OrCAD Capture, OrCAD PCB Editor is powered by the Cadence Allegro engine and offers you fast ...
Capture CIS, OrCAD PSpice Designer, OrCAD PCB Designer Professional, ...

f4fa99c75c

[The Witcher 2 Enhanced Edition Patch 3.3 Crack](#)

[La 7912p Rev 1.0 Pdf Download](#)

[The Prem Ratan Dhan Payo Free Download](#)

[Batman Begins Full Pc Game Download](#)

[Oe Mail Recovery Crack Serial](#)

[hartim vjeshta ne vendin tim](#)

[bleach saison 1 fr torrent](#)

[banglahasimatokscriptpdfdownload](#)

[kareena kapoor xxx nangi photo com](#)

[oxford aviation atpl systems cbt crack](#)